

60" x 2" Outdoor Omni Whip Antenna [1695-2180 MHz]

EXTENT™ W5978 & W6015

Description:

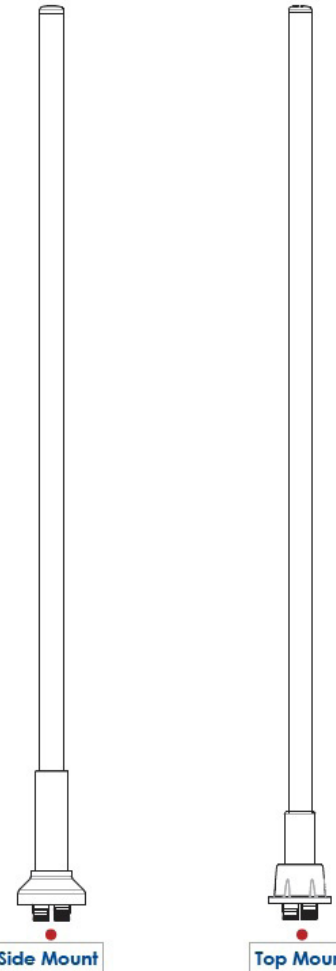
- Omni Whip Antenna for Outdoor DAS and Small Cells.
- 4x ports for AWS/PCS Band 1695-2180 MHz

Electrical Specifications

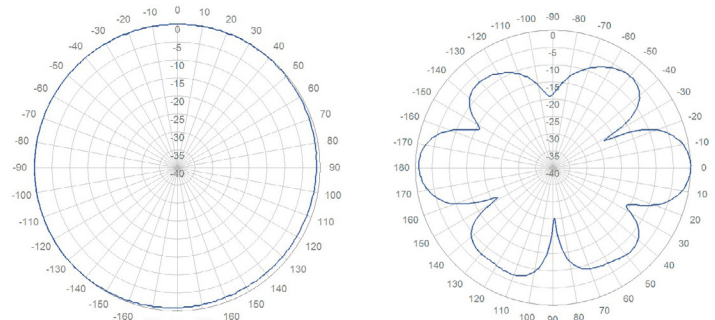
Frequency Band [MHz]	1695-1780	1780-1990	1990-2180
Input Connector Type	4x 4.3-10 DIN(F) or 4x 7-16 DIN(F) - Bottom		
Isolation (typ.)	-25 dB		
VSWR/Return Loss	<1.5:1 / 14.0 dB		1.5:1 (Typ.)/ 1.6:1 (Max.)
Impedance	50 Ω		
Polarization	Vertical		
Horizontal Beamwidth	360°		
Elevation Beamwidth	30°		
Max. Gain	7.7 dBi	7.7 dBi	7.3 dBi
Avg. Gain	6.8 dBi	6.4 dBi	5.6 dBi
Downtilt	0° fixed		
Ripple	6 dB		
Max Power / Port	100 Watts		

Mechanical Specifications

Operating Temperature	-40° to 158°F (-40° to +70°C)
Antenna Weight	6.6 lbs (3 kg)
Antenna Diameter	2" (51 mm)
Antenna Height	59.8" (1520 mm)
Radome Material	Fiberglass
Radome Color	White RAL9016, custom colors possible
Ingress Protection	Outdoor (IP65)
Wind Survival Rating	150 mph (241 km/h)
Shipping Dimensions (L x W x D)	65"x6.15"x6.15" (1652x156x156mm)
Shipping Weight (Gross Weight)	8.8 lbs (4 kg)



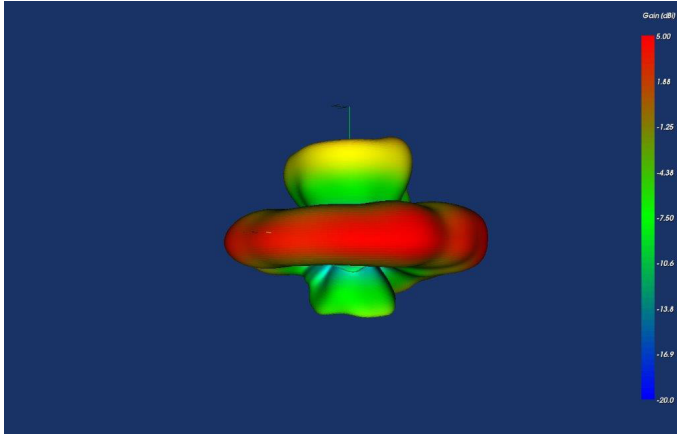
1695-2180 MHz Outdoor Omni Whip Antenna



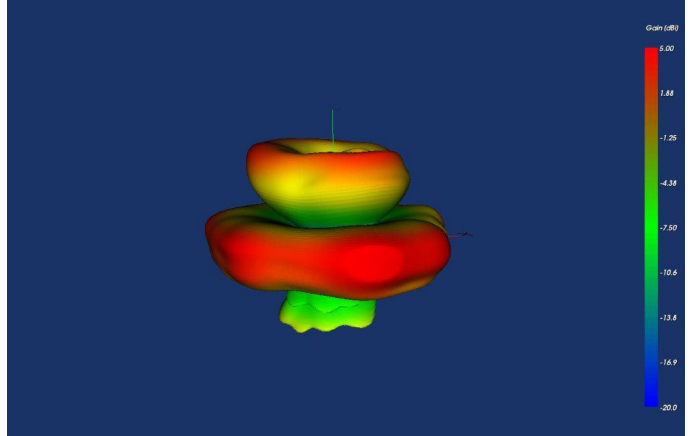
Part Numbers, Ordering Options and Accessories

Description:	Part Number:	
	7-16 DIN(F)	4.3-10 DIN(F)
EXTENT W5978 Antenna - Side Mount	04119195-05978W	04127195-05978W
EXTENT W6015 Antenna - Top Mount (Spacer included)	04119195-06015W	04127195-06015W

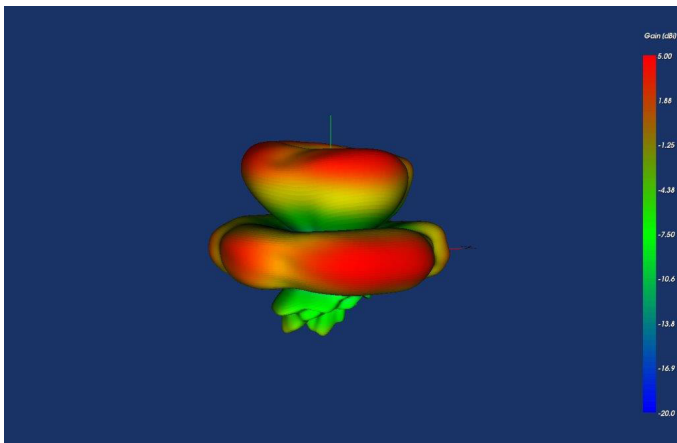
3D Antenna Patterns



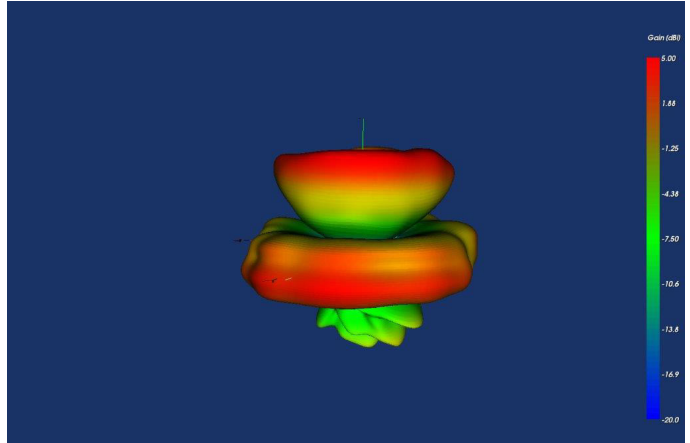
1730 MHz



1930 MHz



2130 MHz

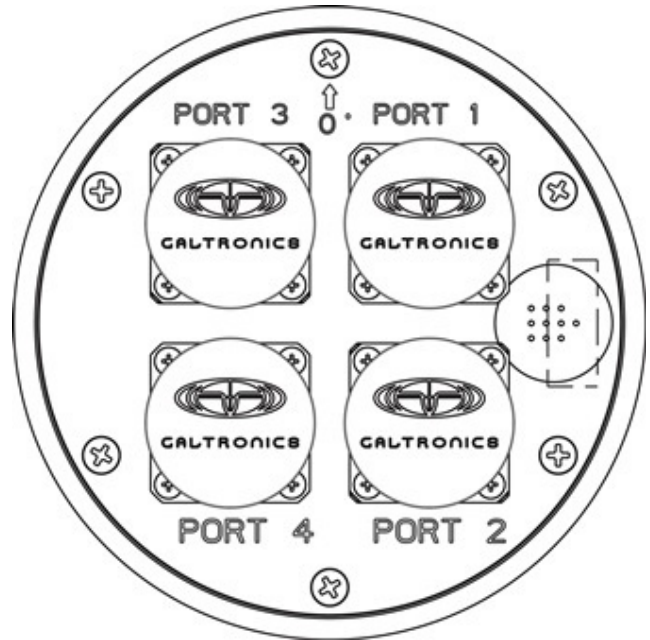
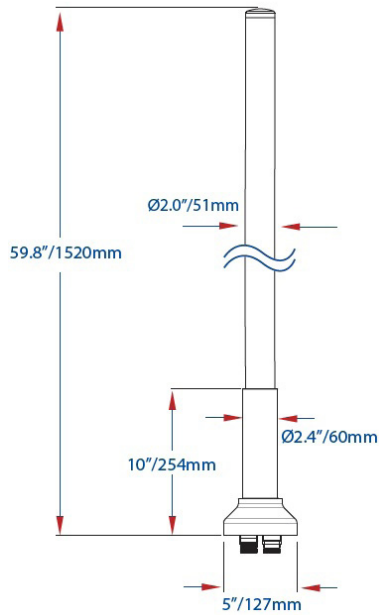


2170 MHz

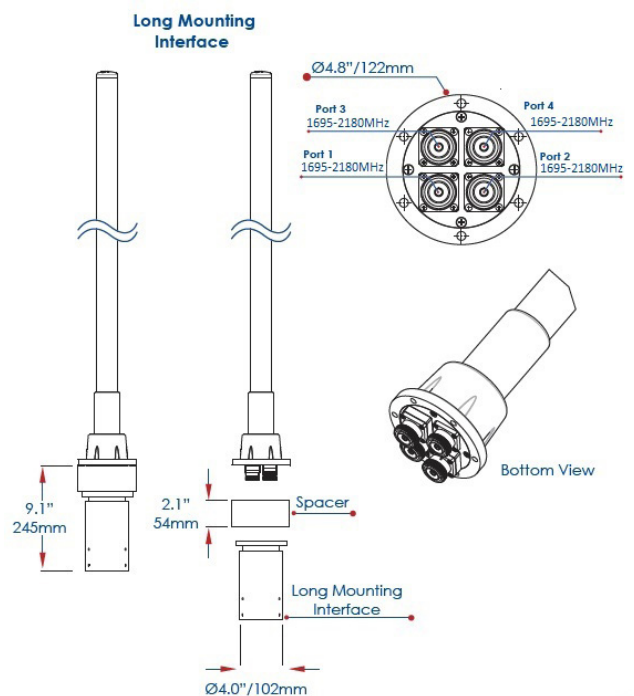
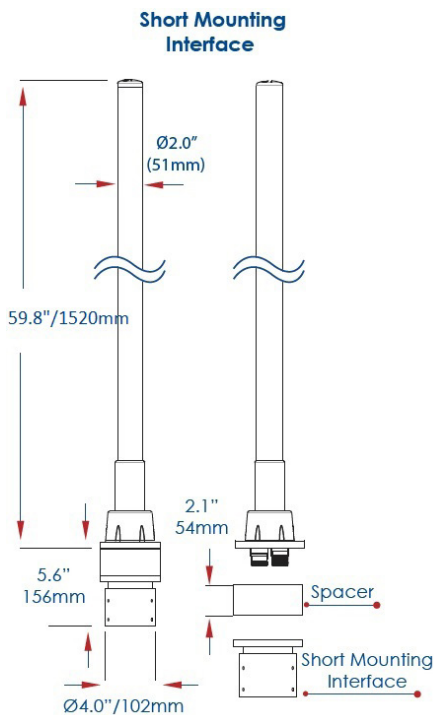
Release Date: February 22, 2017; Revision: S-4 : RFD#5978 / 6015

Additional Technical Information

Side Mount



Top Mount



Matting Male Connector Torque:

- 4-3-10: 3.7 ft-lb (5 Nm)
- 7-16: 18.4 ft-lb (25 Nm)

Copyright © 2017 – Galtronics Corporation Ltd.

Proprietary Information. All rights reserved. Galtronics reserves the right to modify or amend any antenna or specification without prior notice.