

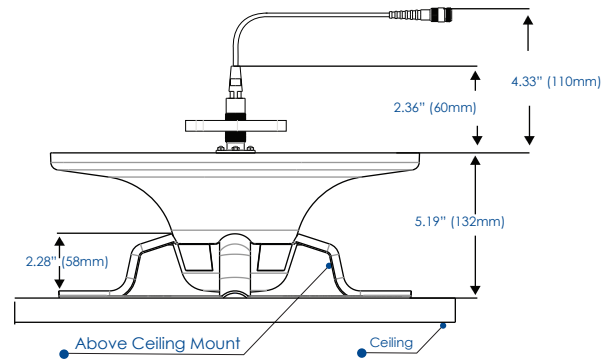
Above Ceiling Mount for PEAR S4935i , S5491i , M4969i

Above Ceiling Installation

DESCRIPTION:

Galtronics' above ceiling mount offers an easy installation solution to mount Galtronics' PEAR S4935i , S5491i , M4969i antennas above ceilings. Mounting hardware is not included. Make sure the selected fasteners are appropriate based on the ceiling material to which the above ceiling mount is attached to.

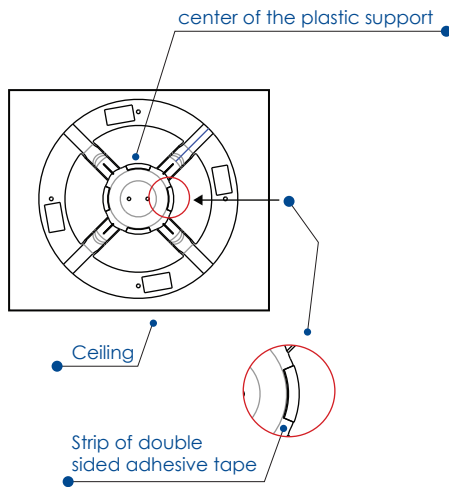
Specifications	
Environmental Conditions	Indoor
Weight	0.34 lbs (155 g)
Diameter	12.5" (320mm)
Height	12.5" (320mm)
Hard Ceiling Mount Color	White
Hard Ceiling Material	PC/ABS
Height Added By Above Ceiling Mount	(0.31"/8mm)
Total Height (Antenna/Above Ceiling Mount)	(5.19"/132mm)
Mounting Hardware	Not included
Clearance above ceiling needed	(4.33"/110mm)
Approved for Installation in Plenum Space / Listed & tested by Intertek/ETL	



Assemble Instructions for the S4935i , S5491i , M4969i Above Ceiling Mount:

A. Attach antenna to above ceiling mount.

- Use alcohol to clean the top of the antenna radome.
- Remove the protective film from the double sided tape strips located inside the center of the plastic support.
- Insert the antenna radome into the plastic support and press together firmly.



B. Attach antenna assembly to ceiling.

Place the above ceiling mount with the antenna above the ceiling and use either option.

Option 1: Use four head screws 8/32" (6mm) diameter suitable for the ceiling material (not provided)

Option 2: Remove the protective film on the adhesive strips located at the bottom of the plastic support and firmly press on to the ceiling.

